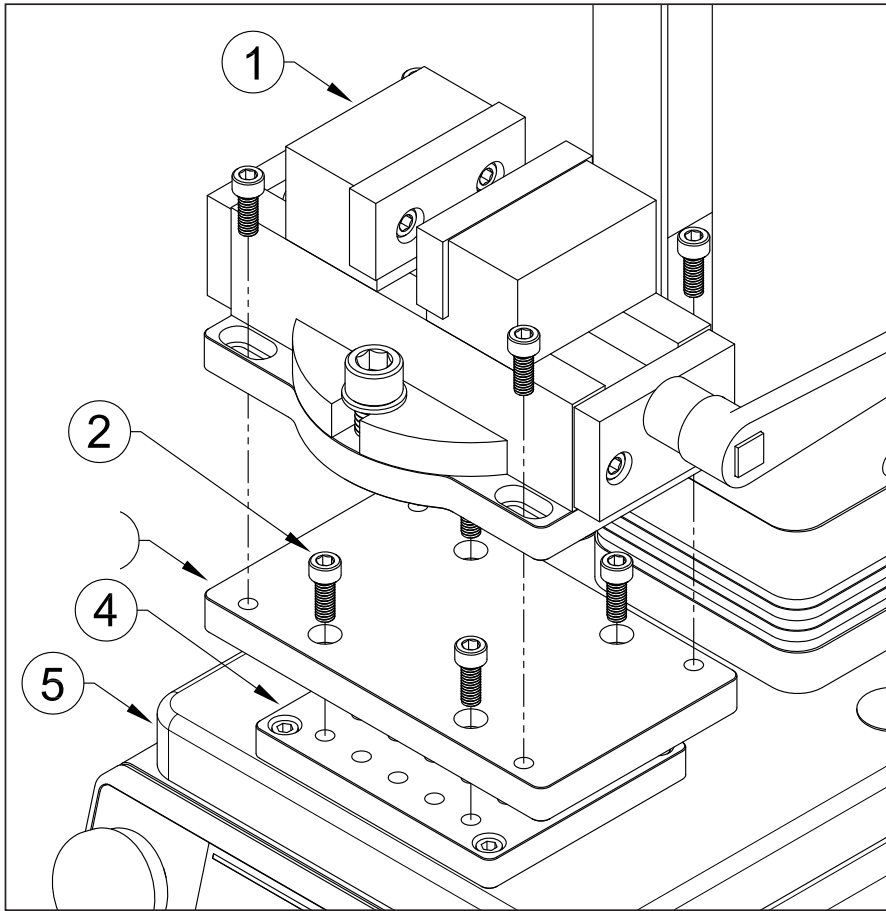


G1070 Vise Grip - Assembly Instructions



The G1070 vise grip is designed to secure test samples for various compression and tension measurement applications. It may be mounted to any Mark-10 test stand containing the 25-hole base plate. Please follow these assembly instructions:

1. Attach the adapter plate (3) to the base plate (4) with four of the provided socket head screws (2).
2. Attach the grip assembly (1) to the adapter plate using four of the provided socket head screws. The grip is now ready for use.

Use the lever to move the jaws towards and away from each other. The jaws may be removed for modification or replacement, as required for the application. To remove the jaw, remove each of the two screws securing it to the vise.