

Series **STJ**

UNIVERSAL TORQUE SENSORS

Reference Guide

MARK-10®

GENERAL

Carefully remove the sensor from its packaging. For models STJ100Z, STJ200Z, and STJ500Z, also remove the protective tubing from the sensor. Save it for future transportation needs. Inspect for any damage.

The sensor is shipped ready to use. No assembly is required.

Series STJ universal torque sensors work in conjunction with the BGI force/torque indicator for instantaneous, average, and peak torque measurements. Plug the 15-pin connector into the external sensor connector on the indicator.

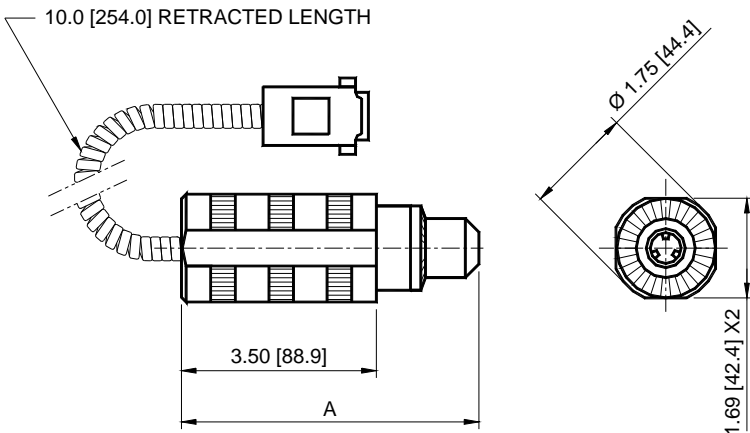
Please note that all calibration data and menu selections programmed and saved during setup with the BGI are saved within the sensor. While this allows for interchangeability, each sensor must be programmed separately.

The sensor can be used as a hand tool or mounted in a fixture (not included).

In order to extend the life of your torque sensor, avoid repetitive shock and impact loads.

DIMENSIONS AND SPECIFICATIONS

in [mm]



<i>Model</i>	<i>Capacity x Resolution</i>	<i>A</i>	<i>Chuck Capacity</i>
STJ10OZ	10 x 0.01 ozin, 7 x 0.005 kgFmm, 7 x 0.005 Ncm	4.82 [122.4]	0.38 [9.5]
STJ20OZ	20 x 0.02 ozin, 14 x 0.01 kgFmm, 14 x 0.01 Ncm		
STJ50OZ	50 x 0.05 ozin, 36 x 0.05 kgFmm, 35 x 0.05 Ncm		
STJ12	12 x 0.01 lbin, 140 x 0.1 kgFmm, 135 x 0.1 Ncm	5.19 [131.8]	0.5 [12.7]
STJ50	50 x 0.05 lbin, 580 x 0.5 kgFmm, 570 x 0.5 Ncm		
STJ100	100 x 0.1 lbin, 1150 x 1 kgFmm, 1150 x 1 Ncm		

<i>Model</i>	<i>Safe Overload % of Capacity</i>
STJ10OZ	300
STJ20OZ	
STJ50OZ	
STJ12	150
STJ50	
STJ100	

Accuracy: $\pm 0.35\%$ FS + BGI

Operating conditions:

Temperature:

40°F - 110°F [5°C - 45°C]

Humidity: 96% max.

(no condensation)

WARRANTY

Mark-10 Corporation expressly warrants to its buyer for three (3) year from the date of delivery that the goods sold are free from defects in workmanship and materials. Mark-10 Corporation will, at its option, repair or replace or refund the purchase price of goods found to be defective. This remedy shall be the buyer's sole and exclusive remedy. Any modification, abuse, exposure to corrosive environment or use other than intended will void this warranty. This warranty is in lieu of all other warranties, including implied warranties of merchantability and fitness for an intended purpose. In no event shall Mark-10 Corporation be liable for any incidental and consequential damages in connection with goods sold or any part thereof.

OTHER MARK-10 PRODUCTS

A full line of force and torque measurement products and related items, including force gauges, torque gauges, force and torque test stands, sensors, grips, software, and more.



MARK-10

We make a measurable difference in force and torque measurement

Mark-10 Corporation

11 Dixon Avenue
Copiague, NY 11726
888-MARK-TEN
Tel: 631-842-9200
Fax: 631-842-9201
Internet: www.mark-10.com
E-mail: info@mark-10.com

