

32-1059 REV 2



Series CT cap torque testers present a powerful, yet value priced solution for closure manufacturers, bottlers, food and beverage companies, and others. The tester features a solid aluminum housing and rugged construction for many years of service in laboratory or production environments. Adjustable posts effectively grip a broad range of container shapes and sizes, while a set of optional jaws is available as an alternative gripping method. The CT captures peak torque in both clockwise and counterclockwise directions for application and removal measurements.

## Features

Wide sample size range	Portable and flexible for a wide range of applications
Peak memory	For application and removal torque
Selectable units of measurement	Measure in lbFin, kgFmm, or Ncm
Moveable posts	Accommodate a wide range of samples
Push-button	Simple and quick calibration procedure calibration

## Optional Equipment

Sample gripping jaws CT001	Set of rubber jaws for gripping square or odd shape containers
Data outputs package CTRS	RS-232 and Mitutoyo (Digimatic) outputs
Output cables	Choice of RS-232 and Mitutoyo data output cables are available
Carrying case	Provides storage space for the CT tester, CT001 gripping jaws, AC adapter, and accessories.



» Simple hand operation



» Optional sample jaws



» Optional carrying case

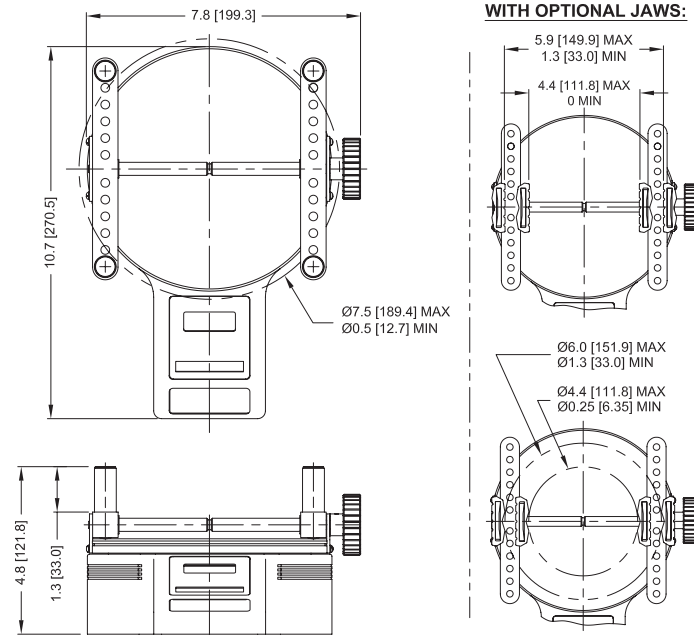


» Optional data outputs package

## Specifications

Accuracy:	±0.5% of full scale ±1 digit
Power:	AC or non-rechargeable 9V battery, with Intelligent Power Management System (IPM). IPM warns the user via a "LO BAT" indicator and then will power off the gauge.
Battery Life:	30 hours of continuous use
Selectable units of measurement:	lbFin, kgFmm, Ncm
Safe overload:	150% of full scale (display shows "----" at 110% and above)
Weight:	6.5 lb [2.9 kg]
Environmental Requirements:	40° F - 100° F [5°C - 45°C], <96% humidity (non-condensating)
Thermal effects:	Zero: 0.03% of full scale/°C, Span: 0.01% of full scale/°C
Housing construction:	6061 aluminum
Warranty	3 years (see individual statement for further details)

## Dimensions



## Ordering Information

Model No.	Capacity x Resolution
CT12	12 x 0.01 lbFin, 140 x 0.1 kgFmm, 135 x 0.1 Ncm, 110V
CT50	50 x 0.05 lbFin, 580 x 0.5 kgFmm, 570 x 0.5 Ncm, 110V
CT100	100 x 0.1 lbFin, 1150 x 1 kgFmm, 1150 x 1 Ncm, 110V
CT001	Sample gripping jaws, pair
CT002	Carrying case
CTRS	Outputs package for CT (RS-232 and Mitutoyo outputs)

For 220V operation, add suffix E to model number. Example: CT50E