

32-1052 REV 0

The economical and compact lever-operated TSB test stand is ideal for quick-action tensile testing and compression testing of up to 100 lbF of force. Constructed of rugged components, this test stand is durable enough for the factory floor, yet precise enough for laboratory environments.

Specifications

| | |
|-----------------------|--|
| Load capacity: | 100 lbF [500 N] |
| Maximum travel: | |
| With travel stops: | 2.75 in [69.9 mm] |
| Without travel stops: | 6 in [152.4 mm] |
| Loading Method: | Rack and pinion, lever can be positioned in 30° increments |
| Travel rate: | 3 in [76.2 mm] per lever rev. |
| Weight: | 12 lb [5.4 kg] |
| Included accessories: | Force gauge mounting hardware |
| Warranty: | 3 years (see individual statement for further details) |

Optional Equipment

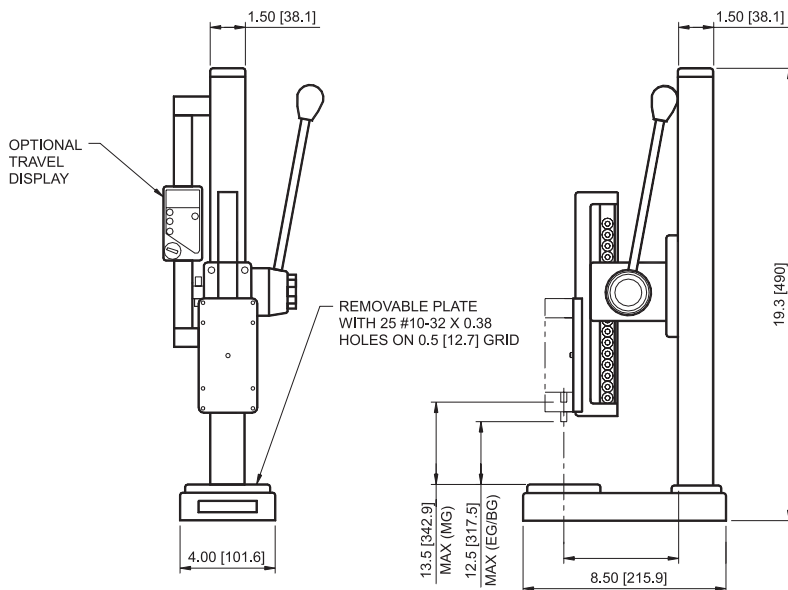
| | |
|--|--|
| Digital travel display TSB001 | 6 in [150 mm] travel, 0.0005 in [0.01 mm] resolution, 0.001 in [0.03 mm] accuracy, SPC output for automated data collection. |
| Horizontal / wall mounting kit TSB002 | Convert the TSB to a horizontal configuration |
| Travel stops kit TSB003 | Pair of adjustable travel stops for setting travel limits during testing |

>> Digital travel display



Dimensions

in [mm]



The TSB is shown in a wire terminal pull testing application, with a Series BG force gauge, wire terminal grip, and dual roller grip.

Ordering Information

| Model No. | Description |
|-----------|---|
| TSB | Test stand, lever operated, 100 lbF, vertical |
| TSB001 | Digital travel display |
| TSB002 | Horizontal / wall mounting kit |
| TSB003 | Travel stops kit |