



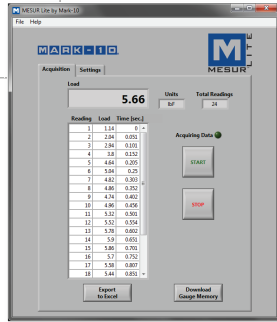
Series TT03C digital cap torque gauges are quick and economical solutions for basic handheld cap torque testing. These portable instruments eliminate the need to secure closures in a fixture or more elaborate testing system. A dedicated remote torque sensor with Jacobs chuck is supplied with a universal grip for caps from 0.65 - 1.55 in (16.5 - 39.4 mm) diameter (Series TT03C gauges consist of a Series TT03 torque gauge and G1053 cap grip).

Series TT03C records both application and removal torque values (clockwise and counter-clockwise directions), and is available in three capacities from 12 to 100 lbf in (135 to 1150 Ncm).

Series TT03C features a sampling rate of 2,000 Hz, producing accurate results under a wide range of test conditions. A backlit graphic LCD displays large characters, and a menu is available to access the gauges' features and configurable parameters. USB output is provided for data collection purposes.

Set point indicators are provided for pass-fail testing. The gauges are overload protected to 150% of capacity, and an analog load bar is shown on the display for graphical representation of applied torque.

The gauges include MESUR® Lite data acquisition software, for tabulation of continuous or individual data points. One-click export to Excel button easily allows for further data manipulation.



▲ MESUR Lite data acquisition software is included with Series TT03C gauges



▲ Universal cap grip and ergonomic sensor design makes testing a breeze

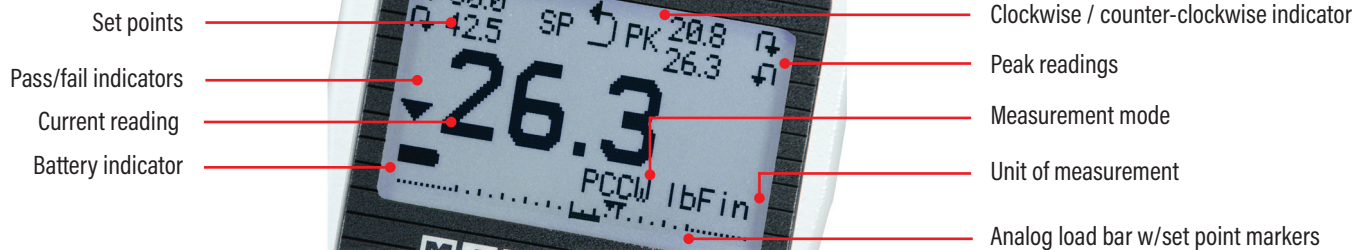


▲ Optional AC1100 tabletop mounting stand

Features

- Universal grip accommodates broad cap size range
- Peak torque values saved and displayed
- High-speed 2,000 Hz sampling rate
- USB data output of continuous or individual data points
- Programmable set points with pass/fail indicators
- Live load bar graph with set point markers
- Peak CW and CCW readings always displayed
- Set points always displayed
- Configurable audio alarms and key tones
- MESUR® Lite data collection software included

Display Indicators

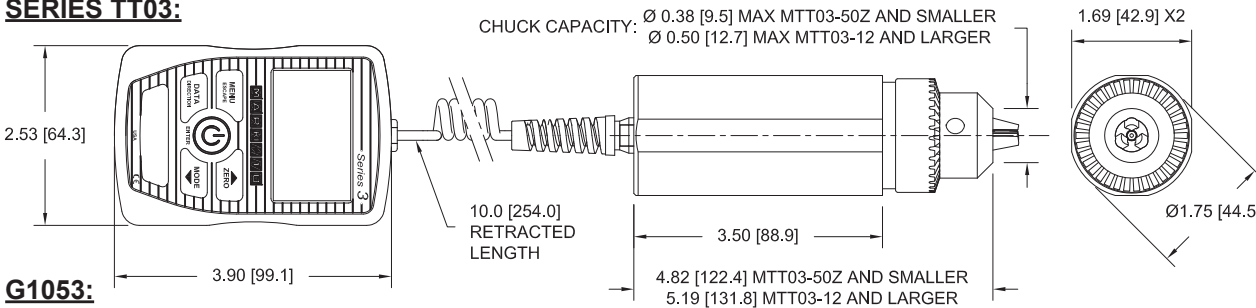


Specifications

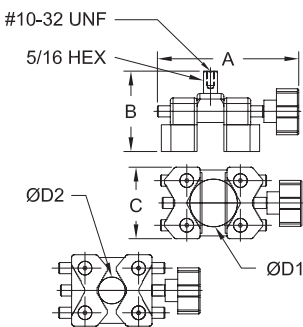
Accuracy:	±0.5% of full scale
Sampling Rate:	2,000 Hz
Cap Diameter Range:	0.65 - 1.55 in [16.5 - 39.4 mm]
Power:	AC or rechargeable battery. Multi-step low battery indicator is displayed, gauge shuts off automatically when power is too low.
Battery Life:	Backlight on: up to 7 hours of continuous use / Backlight off: up to 24 hours of continuous use
Measurement Units:	lbFin, ozFin, Ncm
USB Output:	Configurable up to 115,200 baud.
Safe Overload:	150% of full scale (display shows "OVER" at 110% and above)
Weight (without grip):	1.8 [0.8 kg]
Included Items:	Carrying case, universal voltage AC adapter, battery, quick-start guide, USB cable, and NIST-traceable certificate of calibration (certificate with data is available for an additional charge).
Environmental requirements:	40 - 100°F, max. 96% humidity, non-condensating
Warranty:	3 years (see individual statement for further details)

Dimensions in [mm]

SERIES TT03:



G1053:



A	B	C	ØD1*	ØD2*
3.1 [78.7]	2.0 [50.8]	1.6 [40.6]	1.16 - 1.80 [29.5 - 45.7]	0.65 - 1.29 [16.5 - 32.8]

* Jaws must be reversed to switch from ØD1 to ØD2

Optional Items

AC1100	Tabletop mounting kit
CERT	Certificate of calibration with data

Capacity & Resolution

Model No.	ozFin	lbFin	Ncm
MTT03C-12	192 x 0.2	12 x 0.01	135 x 0.1
MTT03C-50	800 x 1	50 x 0.05	570 x 0.5
MTT03C-100	1600 x 2	100 x 0.1	1150 x 1

Alternative AC Adapter Prongs



All instruments include a 110V AC adapter with US prong style. Select an alternative prong adapter (if required) from the table below.

Model No.	Description
AC1120	Prong for AC adapter, 220V EUR
AC1121	Prong for AC adapter, 220V UK
AC1122	Prong for AC adapter, 220V AUS