

Models **MRS100 / MRS100A**

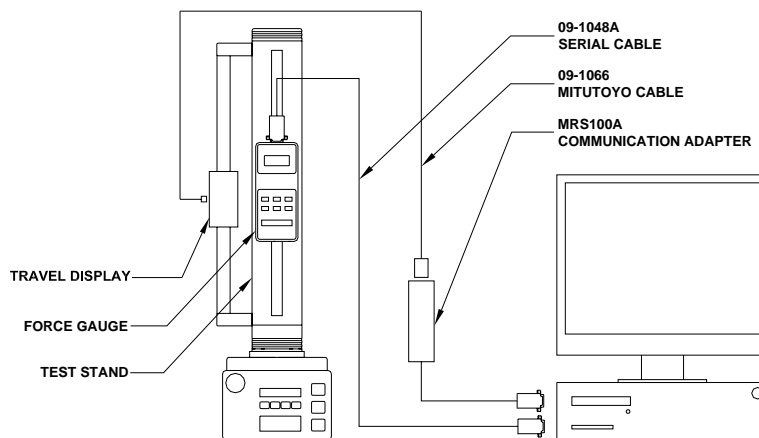
MITUTOYO / RS-232 COMMUNICATION ADAPTERS

User's Guide

MARK-10

SETTING UP

The MRS100 / MRS100A is a communication adapter designed to convert data from a Mitutoyo device to RS-232 format for use with a PC or other device. A typical application is shown below in which a Mitutoyo travel display mounted to a Mark-10 test stand is connected to a PC using a Mitutoyo cable (available separately) and MRS100A communication adapter:

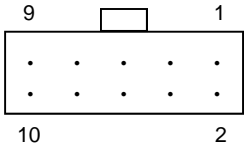


USING THE MRS100 / MRS100A

Connect the Mitutoyo device as shown in the figure above. Set the communication parameters of the RS-232 channel to 1200 baud, 8 data bits, 1 stop bit, and no parity.

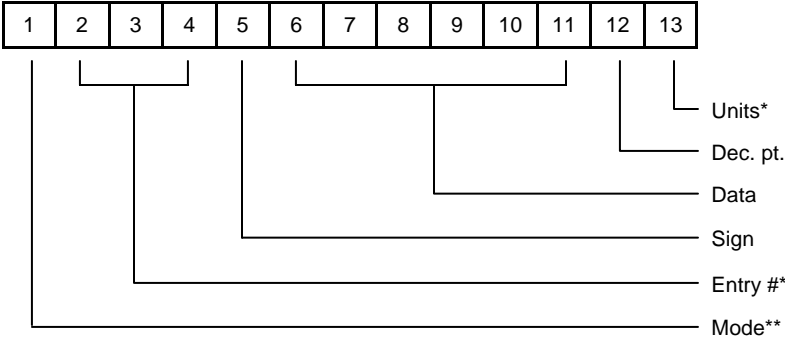
Transmission of data can be initiated by the RS-232 device or software, in which case the MRS100 / MRS100A will automatically translate the data and transmit to the RS-232 device. However, the RS-232 device can request data from the instrument by transmitting ASCII "?" or "X", followed by <CR> or <CR><LF>. Note that no separate power connection to the MRS100 / MRS100A is required, as the power available from the RS-232 channel is sufficient for its operation.

INPUT CONNECTOR



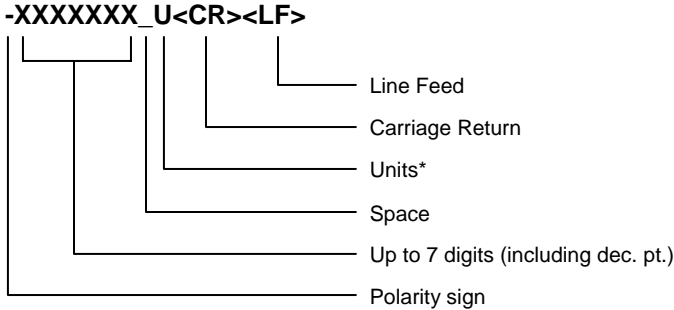
- Pin 1: Ground
- Pin 2: Data - Input
- Pin 3: Clock - Input
- Pin 4: Ready (Active Low) - Input
- Pin 5: Request (Active Low) - Output
- Pins 6-10: No Connection

INPUT DATA FORMAT



* Received as per gauge (in or mm)
** Ignored

OUTPUT DATA FORMAT (RS-232)



* As per input from Mitutoyo (I=inches, M=mm)

WARRANTY

Mark-10 Corporation expressly warrants to its buyer for three (3) years from the date of delivery that the goods sold are free from defects in workmanship and materials. Mark-10 Corporation will, at its option, repair or replace or refund the purchase price of goods found to be defective. This remedy shall be the buyer's sole and exclusive remedy. Any modification, abuse, exposure to corrosive environment or use other than intended will void this warranty. This warranty is in lieu of all other warranties, including implied warranties of merchantability and fitness for an intended purpose. In no event shall Mark-10 Corporation be liable for any incidental and consequential damages in connection with goods sold or any part thereof.

MARK-10

We make a measurable difference in force and torque measurement

Mark-10 Corporation

11 Dixon Avenue
Copiague, NY 11726 USA
1-888-MARK-TEN
Tel: 631-842-9200
Fax: 631-842-9201
Internet: www.mark-10.com
E-mail: info@mark-10.com



32-1093
0608